

PARTS LIST

[UX-V100]

* All printed circuit boards and its assemblies are not available as service parts.

Area suffix

B ----- U.K.
 E ----- Continental Europe
 EN ----- Northern Europe

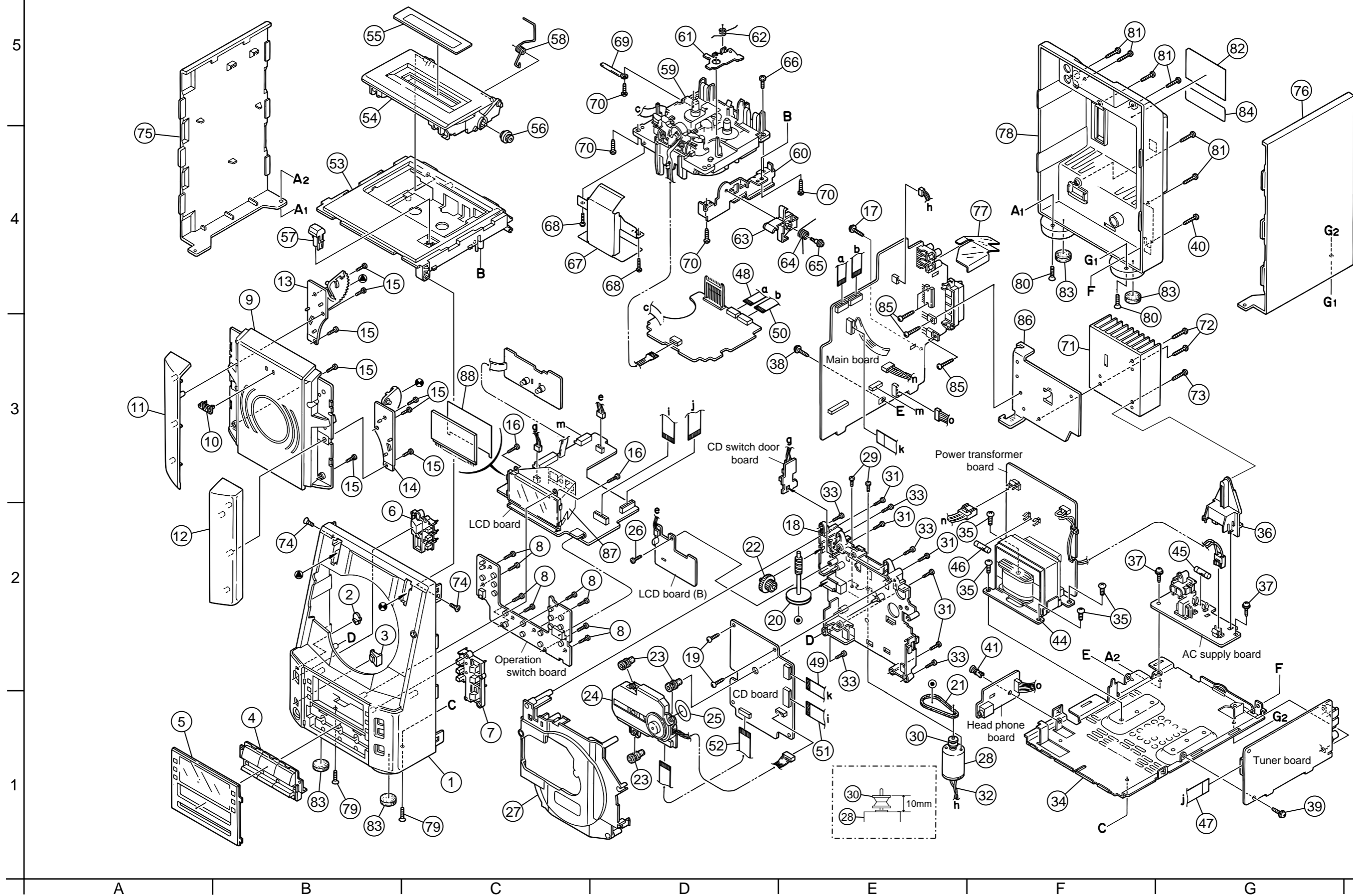
- Contents -

Exploded view of general assembly and parts list	3- 3
Cassette mechanism assembly and parts list	3- 5
Electrical parts list	3- 7
Packing materials and accessories parts list	3-16

< MEMO >

Exploded view of general assembly and parts list

Block No. M 1 M M



■ Parts list (General assembly)

Block No. M1MM

△	Item	Parts number	Parts name	Q'ty	Description	Area
	1	GV10020-016A	FRONT PANEL	1		
	2	GV40067-001A	REMOTE LENS	1		
	3	GV40068-001A	STANDBY LENS	1		
	4	GV30060-003A	FRONT BUTTON ASSSY	1		
	5	GV40116-001A	FRONT LENS ASSY	1		
	6	GV30063-001A	POWER BUTTON	1		
	7	GV30064-001A	VOLUME BUTTON	1		
	8	QYSDSF2608Z	SCREW	8	SW.PWB+FR.PANEL	
	9	GV20044-021A	CD DOOR LENS	1		
	10	GV40077-001A	JVC BADGE	1		
	11	GV30065-001A	CD DOOR PLATE(L)	1		
	12	GV30065-002A	CD DOOR PLATE(R)	1		
	13	GV30066-001A	CD DOOR HOLDER	1	DOOR LEFT	
	14	GV30066-002A	CD DOOR HOLDER	1	DOOR RIGHT	
	15	QYSDSF2006M	SCREW	8	CD DOOR ASSY	
	16	QYSDSF2608Z	SCREW	2	L.CASE+F.PANEL	
	17	QYSBSFG3008Z	T.SCREW	1	M.BOARD +IC HOLDER	
	18	GV20046-007A	CD CHASSIS	1		
	19	QYSDSF2608Z	SCREW	2	CD PWB+CD CHASIS	
	20	GV40072-003A	WORM PULLEY	1		
	21	GV30038-001A	BELT	1		
	22	GV40071-002A	GEAR	1		
	23	GV40070-002A	INSULATOR	3		
	24	KSM-770ABA	CD MECHA	1		
	25	GV40122-002A	FOOT SPACER	1	STICK AT CD MECHA	
	26	QYSDSF2608Z	SCREW	1	ILM PWB L+CD CHASSIS	
	27	GV20045-008A	CD CASE	1		
	28	MXN-13FB12F	DC MOTOR ASSY	1		
	29	QYSPSP3004Z	SCREW	2	MOTOR+CD CHASSIS	
	30	VYH7699-001SS	PULLEY	1		
	31	QYSDSF2608Z	SCREW	5	CD CHASSIS+CD CASE	
	32	WJM0112-001A	MOTOR WIRE	1		
	33	QYSDSF2608Z	SCREW	5	CD CHASIS+F.PANEL	
	34	GV10021-001A	BOTTOM CHASSIS	1		
	35	QYSBST4006Z	T.SCREW	4	TRANS+B.CHASSIS	
	36	GV30073-001A	JACK HOLDER	1		
	37	QYSBSTG3006Z	T.SCREW	2	AC J.PWB+B.CHASSIS	
	38	QYSBSTG3006Z	T.SCREW	1	M.BRD+B.CHASSIS	
	39	QYSBSTG3006Z	T.SCREW	1	TUNER PWB+B.CHASSIS	
	40	QYSBSF3010N	TAP SCREW	1	TUNER TER+B.CHASSIS	
	41	FMYH4004-001	PLASTIC RIVET	1	H.P PWB+B.CHASSIS	
△	44	QQT0284-002	POWER TRANSF	1		
△	45	QMF51E2-R63-J1	FUSE	1	F901	
△	46	QMF51E2-6R3-J1	FUSE	1	F902	
	47	QUQ412-0908DJ	FFC WIRE	1	TUNER TO FMB	
	48	QUQ412-0924CJ	FFC WIRE	1	SLC TO MAIN	
	49	QUQ412-1022CJ	FFC WIRE	1	CD TO MAIN	
	50	QUQ412-1024CJ	FFC WIRE	1	SLC TO MAIN	

■ Parts list (General assembly)

Block No. M1MM

△	Item	Parts number	Parts name	Q'ty	Description	Area
	51	QUQ412-1320CJ	FFC WIRE	1	CD TO FMB	
	52	QUQ110-1607BJ	FFC WIRE	1	PICK UP TO CD	
	53	GV10022-001A	TOP COVER	1		
	54	GV20047-001A	CASSETTE DOOR	1		
	55	GV40074-001A	CASSETTE LENS	1		
	56	VYH7366-001MM	GEAR	1		
	57	GV40073-001A	EJECT KNOB	1		
	58	GV40085-002A	DOOR SPRING	1		
	59	-----	CASSETTE MECHA	1		
	60	VYH3965-001	SIDE BRACKET(R)	1		
	61	VKL7850-002	EJECT SAFTY(R)	1		
	62	VKW5258-003	TORSION SPRING	1		
	63	VYH8146-012	EJECT ARM(R)	1		
	64	VKW3006-230	TORSION SPRING	1		
	65	VKZ4341-004	SPECIAL SCREW	1		
	66	QYSBSG3008Z	T.SCREW	1	SLC + SIDE BKT.	
	67	GV30071-001A	HEAD SHIELD	1		
	68	QYSBSF2606Z	SCREW	2	H.SHIELD+SLC.MECHA	
	69	VKZ4001-110S	WIRE HOLDER	1		
	70	QYSBSF3010Z	SCREW	4	SLC + TOP COVER	
	71	GV30068-001A	HEAT SINK	1		
	72	QYSPSF3010Z	TAP SCREW	2	H.SINK+IC HOLDER	
	73	QYSPSF3010Z	TAP SCREW	1	H.SINK+ J.HOLDER	
	74	QYSSSF3008Z	SCREW	2	T.COVER+F.PANEL	
	75	GV20048-001A	SIDE PANEL (L)	1		
	76	GV20048-002A	SIDE PANEL (R)	1		
	77	GV40111-001A	PROTECT SHEET	1		
	78	GV10023-010A	REAR PANEL	1		
	79	QYSSST3010Z	SCREW	2	F.PANEL+B.CHASSIS	
	80	QYSSST3010Z	SCREW	2	R.PANEL+B.CHASSIS	
	81	QYSBSF3010N	TAP SCREW	6	REAR PANEL ASSEMBLY	
	82	GV30195-001A	NAME PLATE	1		
	83	GV40091-001A	FOOT	4		
	84	VND4118-004	CAUTION LABEL	1		
	85	QYSBSF3010Z	TAPPING SCREW	4		
	86	GV30069-001A	IC HOLDER	1		
	87	GV30070-002A	LAMP CASE	1		
	88	GV40084-002A	LCD SHEET	1		

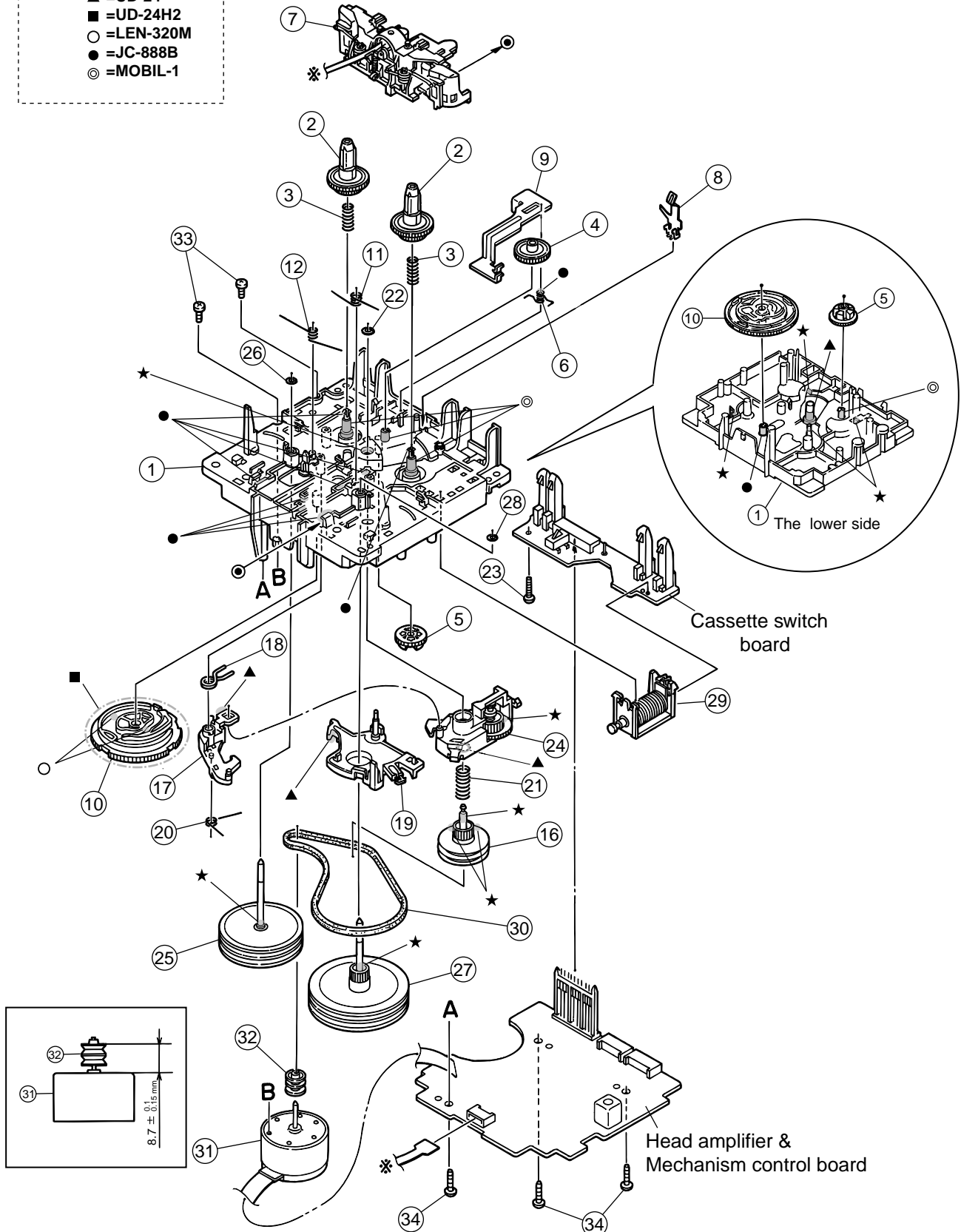
Cassette mechanism assembly and parts list

SLC-S11YPM

Block No. M 2 M M

Grease

- ★ =EM-30L
- ▲ =UD-24
- =UD-24H2
- =LEN-320M
- =JC-888B
- ◎ =MOBIL-1



Parts list (Cassette mechanism)

Block No. M2MM

△	Item	Parts number	Parts name	Q'ty	Description	Area
	1	VKS1165-00J	CHASSIS B.ASS'Y	1		
	2	VKS2274-002	REEL GEAR	2		
	3	VKW5286-002	B.T. SPRING	2		
	4	VKS5559-001	PLAY IDLE GEAR	1		
	5	VKS5597-00B	BLIND	1		
	6	VKW5296-001	EARTH SPRING	1		
	7	SLC-RP1SVM	HEAD MOUNT ASSY	1		
	8	VKY3149-002	CASSETTE SP.	1		
	9	VKM3906-002	PLAY SW.LEVER	1		
	10	VKS1166-003	CONTROL CAM	1		
	11	VKW5279-001	HEAD BASE SP(R)	1		
	12	VKW5280-001	HEAD BASE SP(L)	1		
	16	VKS5603-00G	MAIN PULLEY ASY	1		
	17	VKS3785-001MM	FR ARM	1		
	18	VKW5284-002	SWING SPRING	1		
	19	VKS2278-003	TRIGGER ARM	1		
	20	VKW5301-001	FR SPRING	1		
	21	VKW5266-001	ELEVATOR SPRING	1		
	22	WDL214025	WASHER	1		
	23	QYSBSF2005Z	T.SCREW	1		
	24	VKS3786-00G	CLUTCH ASS'Y	1		
	25	VKF3205-00B	F.WHEEL ASSY(R)	1		
	26	WDL183425	SLIT WASHER	1		
	27	VKF3207-00B	F.WHEEL ASSY(L)	1		
	28	WDL173525-6	SLIT WASHER	1		
	29	VKZ3174-00A	DC SOLENOID	1		
	30	LV42234-001A	CAPSTAN BELT	1		
	31	MSI-5U2LWA	D.C.MOTOR ASS'Y	1		
	32	VKR4761-001	MOTOR PULLEY	1		
	33	QYSPSP2604Z	SCREW	2		
	34	QYSBSF2608Z	T.SCREW	3	FOR P.W.B.	

■ Electrical parts list (Main board)

Block No. 01

△	Item	Parts number	Parts name	Remarks	Area	△	Item	Parts number	Parts name	Remarks	Area
	C 901	QFLK1HJ-104Z	TF CAPACITOR	.10MF 5% 50V			C3104	QETC1AM-336Z	E CAPACITOR	33MF 20% 10V	
	C 902	QFLK1HJ-104Z	TF CAPACITOR	.10MF 5% 50V			C3105	QETN1HM-225Z	E CAPACITOR	2.2MF 20% 50V	
	C 903	QFLK1HJ-104Z	TF CAPACITOR	.10MF 5% 50V			C3150	QETN1EM-106Z	E CAPACITOR	10MF 20% 25V	
	C 904	QFVF1HJ-104Z	MF CAPACITOR	.10MF 5% 50V			C3300	QETN1CM-476Z	E CAPACITOR	47MF 20% 16V	
	CN301	QGB1214J1-20S	CONNECTOR	MICON			C3301	QETN1AM-476Z	E CAPACITOR	47MF 20% 10V	
	CN302	QGB1214J1-14S	CONNECTOR	MICON			C3400	QETN1HM-105Z	E CAPACITOR	1.0MF 20% 50V	
	CN303	QGF1205C1-10	CONNECTOR	CD			C3401	QETN1HM-105Z	E CAPACITOR	1.0MF 20% 50V	
	CN304	QGF1205F1-09	CONNECTOR	SLC			C3402	QFLC1HJ-563Z	TF CAPACITOR	.056MF 5% 50V	
	CN305	QGF1205F1-10	CONNECTOR	SLC			C3403	QFLC1HJ-563Z	TF CAPACITOR	.056MF 5% 50V	
	CN306	QGA2501C1-05	5P CONNECTOR	HEADPHONE			C3404	QETN1HM-105Z	E CAPACITOR	1.0MF 20% 50V	
	CN307	QGA2501C1-02	2P CONNECTOR	CD DOOR			C3405	QETN1CM-106Z	E CAPACITOR	10MF 20% 16V	
△	CN901	QGA7901C1-02	CONNECTOR				C3406	QETN1HM-105Z	E CAPACITOR	1.0MF 20% 50V	
	CN902	QGA3901C1-02	CONNECTOR				C3500	QETN1CM-107Z	E CAPACITOR	100MF 20% 16V	
	C1100	QDXB1CM-332Y	C CAPACITOR				C3501	QETN1EM-106Z	E CAPACITOR	10MF 20% 25V	
	C1101	QCBB1HK-331Y	C CAPACITOR	330PF 10% 50V			C3502	QDYB1CM-103Y	C CAPACITOR		
	C1102	QFLM1HJ-104Z	M CAPACITOR	.10MF 5% 50V			C3504	QDGB1HK-102Y	C CAPACITOR		
	C1103	QFLM1HJ-104Z	M CAPACITOR	.10MF 5% 50V			C3505	QDGB1HK-102Y	C CAPACITOR		
	C1104	QTE1V06-106Z	E CAPACITOR				C3506	QDGB1HK-102Y	C CAPACITOR		
	C1105	QCBB1HK-221Y	C CAPACITOR	220PF 10% 50V			C3507	QDGB1HK-102Y	C CAPACITOR		
	C1150	QDGB1HK-102Y	C CAPACITOR				C3800	EETC1HM-105ZJC	E CAPACITOR		
	C1300	QFLM1HJ-823Z	M CAPACITOR	.082MF 5% 50V			C9001	EETC1CM-227ZJC	E CAPACITOR		
	C1301	QFLM1HJ-823Z	M CAPACITOR	.082MF 5% 50V			C9002	QDYB1CM-103Y	C CAPACITOR		
	C1302	QTE1C06-226Z	E CAPACITOR				C9003	QDXB1CM-222Y	C CAPACITOR		
	C1303	QFVJ1HJ-274Z	MF CAPACITOR	.27MF 5% 50V			C9201	QETN1CM-476Z	E CAPACITOR	47MF 20% 16V	
	C1500	QETN1EM-106Z	E CAPACITOR	10MF 20% 25V			C9202	QDYB1CM-103Y	C CAPACITOR		
	C1501	QFLM1HJ-272Z	M CAPACITOR	2700PF 5% 50V			C9203	QTE1V06-106Z	E CAPACITOR		
	C1502	EETC1HM-475ZJC	E CAPACITOR				C9302	QEKC1HM-475Z	E CAPACITOR	4.7MF 20% 50V	
	C1503	QTE1V06-106Z	E CAPACITOR				C9303	QEKC1AM-107Z	E CAPACITOR	100MF 20% 10V	
	C1504	QFVF1HJ-104Z	MF CAPACITOR	.10MF 5% 50V			C9401	EEKC1AM-227ZJC	E CAPACITOR		
	C1505	QFVF1HJ-104Z	MF CAPACITOR	.10MF 5% 50V			C9402	EEKC1AM-107ZJC	E CAPACITOR		
	C1506	QFLM1HJ-272Z	M CAPACITOR	2700PF 5% 50V			C9403	QDYB1CM-103Y	C CAPACITOR		
	C1507	EETC1HM-475ZJC	E CAPACITOR				C9501	EETC1AM-477ZJC	E CAPACITOR		
	C1508	EETC1HM-475ZJC	E CAPACITOR			△	D 901	6A10E2	SI DIODE		
	C1510	QETN1EM-475Z	E CAPACITOR	4.7MF 20% 25V		△	D 902	6A10E2	SI DIODE		
	C1600	QCBB1HK-221Y	C CAPACITOR	220PF 10% 50V		△	D 903	6A10E2	SI DIODE		
	C1800	QETN1EM-475Z	E CAPACITOR	4.7MF 20% 25V		△	D 904	6A10E2	SI DIODE		
	C2100	QDXB1CM-332Y	C CAPACITOR				D3300	MTZJ4.3B-T2	ZENER DIODE		
	C2101	QCBB1HK-331Y	C CAPACITOR	330PF 10% 50V			D3400	1SS133-T2	SI DIODE		
	C2102	QFLM1HJ-104Z	M CAPACITOR	.10MF 5% 50V			D3401	1SS133-T2	SI DIODE		
	C2103	QFLM1HJ-104Z	M CAPACITOR	.10MF 5% 50V			D3402	1SS133-T2	SI DIODE		
	C2104	QTE1V06-106Z	E CAPACITOR				D3403	1SS133-T2	SI DIODE		
	C2105	QCBB1HK-221Y	C CAPACITOR	220PF 10% 50V			D3504	1SS133-T2	SI DIODE		
	C2150	QDGB1HK-102Y	C CAPACITOR				D3505	1SS133-T2	SI DIODE		
	C2300	QFLM1HJ-823Z	M CAPACITOR	.082MF 5% 50V			D3800	MTZJ6.8B-T2	ZENER DIODE		
	C2301	QFLM1HJ-823Z	M CAPACITOR	.082MF 5% 50V			D9001	1SS133-T2	SI DIODE		
	C2302	QTE1C06-226Z	E CAPACITOR				D9002	MTZJ8.2C-T2	ZENER DIODE		
	C2303	QFVJ1HJ-274Z	MF CAPACITOR	.27MF 5% 50V			D9003	MTZJ10A-T2	ZENER DIODE		
	C2500	QETN1EM-106Z	E CAPACITOR	10MF 20% 25V			D9201	MTZJ5.1C-T2	ZENER DIODE		
	C2501	QFLM1HJ-272Z	M CAPACITOR	2700PF 5% 50V			D9301	MTZJ3.9B-T2	ZENER DIODE		
	C2502	EETC1HM-475ZJC	E CAPACITOR				D9302	1SS133-T2	SI DIODE		
	C2503	QTE1V06-106Z	E CAPACITOR				D9303	1SS133-T2	SI DIODE		
	C2504	QFVF1HJ-104Z	MF CAPACITOR	.10MF 5% 50V			D9402	MTZJ6.2A-T2	Z DIODE		
	C2505	QFVF1HJ-104Z	MF CAPACITOR	.10MF 5% 50V			D9501	1SS133-T2	SI DIODE		
	C2506	QFLM1HJ-272Z	M CAPACITOR	2700PF 5% 50V			D9504	MTZJ9.1C-T2	Z DIODE		
	C2507	EETC1HM-475ZJC	E CAPACITOR				EP902	QNZ0136-001Z	EARTH PLATE		
	C2508	EETC1HM-475ZJC	E CAPACITOR				FW900	QUM154-11Z4Z4	FLAT WIRE		
	C2510	QETN1EM-475Z	E CAPACITOR	4.7MF 20% 25V		△	IC300	LA4628	IC		
	C2600	QCBB1HK-221Y	C CAPACITOR	220PF 10% 50V			IC301	BA15218N	IC		
	C2800	QETN1EM-475Z	E CAPACITOR	4.7MF 20% 25V			IC302	LC75342	IC		
△	C3100	QETM1EM-828	E CAPACITOR	8200MF 20% 25V			IC303	LB1641	IC		
	C3101	QFLM1HJ-104Z	M CAPACITOR	.10MF 5% 50V			J 300	QNB0090-001	SPK TERMINAL		
	C3102	EEKC1CM-107ZJC	E CAPACITOR				J 301	QNN0215-001	PIN JACK		
	C3103	QETN1CM-107Z	E CAPACITOR	100MF 20% 16V			J 302	QNS0030-001	JACK		

■ Electrical parts list (Main board)

Block No. 01

△	Item	Parts number	Parts name	Remarks	Area	△	Item	Parts number	Parts name	Remarks	Area	
△	J 901	QNC0006-001	AC INLET				R2101	QRE141J-2R2Y	C RESISTOR	2.2 5% 1/4W		
	K1200	QQR0779-001Z	INDUCTOR				R2102	QRE141J-471Y	C RESISTOR	470 5% 1/4W		
	K2200	QQR0779-001Z	INDUCTOR				R2150	QRE141J-472Y	C RESISTOR	4.7K 5% 1/4W		
	K3800	QUY150-050Y	BUS WIRE				R2151	QRE141J-682Y	C RESISTOR	6.8K 5% 1/4W		
	K9100	QUY150-050Y	BUS WIRE				R2200	QRE141J-151Y	C RESISTOR	150 5% 1/4W		
	K9401	QUY150-050Y	BUS WIRE				R2300	QRE141J-224Y	C RESISTOR	220K 5% 1/4W		
	L 901	QQR1145-001	LINE FILTER				R2301	QRE141J-202Y	C RESISTOR	2.0K 5% 1/4W		
	L1100	QQR0797-001	INDUCTOR				R2302	QRE141J-222Y	C RESISTOR	2.2K 5% 1/4W		
	L1200	QQL231K-470Y	INDUCTOR				R2303	QRE141J-153Y	C RESISTOR	15K 5% 1/4W		
	L2100	QQR0797-001	INDUCTOR				R2304	QRE141J-153Y	C RESISTOR	15K 5% 1/4W		
	L2200	QQL231K-470Y	INDUCTOR				R2305	QRE141J-183Y	C RESISTOR	18K 5% 1/4W		
	L3200	QQL231K-470Y	INDUCTOR				R2306	QRE141J-622Y	C RESISTOR	6.2K 5% 1/4W		
	L9401	QUY150-050Y	BUS WIRE				R2307	QRE141J-182Y	C RESISTOR	1.8K 5% 1/4W		
	PP900	QZW0038-001	WIRE CLAMP				R2400	QRE141J-223Y	C RESISTOR	22K 5% 1/4W		
	Q1150	2SC3576-JVC-T	TRANSISTOR				R2401	QRE141J-223Y	C RESISTOR	22K 5% 1/4W		
	Q1400	KTC3199/GL-T	TRANSISTOR				R2402	QRE141J-103Y	C RESISTOR	10K 5% 1/4W		
	Q1800	KTC3199/GL-T	TRANSISTOR				R2501	QRE141J-682Y	C RESISTOR	6.8K 5% 1/4W		
	Q2150	2SC3576-JVC-T	TRANSISTOR				R2503	QRE141J-392Y	C RESISTOR	3.9K 5% 1/4W		
	Q2400	KTC3199/GL-T	TRANSISTOR				R2508	QRE141J-822Y	C RESISTOR	8.2K 5% 1/4W		
	Q2800	KTC3199/GL-T	TRANSISTOR				R2600	QRE141J-303Y	C RESISTOR	30K 5% 1/4W		
	Q3150	KRA101M-T	TRANSISTOR				R2601	QRE141J-303Y	C RESISTOR	30K 5% 1/4W		
	Q3800	KRA101M-T	TRANSISTOR				R2800	QRE141J-912Y	C RESISTOR	9.1K 5% 1/4W		
△	Q9001	KTA1046/Y/	TRANSISTOR				R2801	QRE141J-272Y	C RESISTOR	2.7K 5% 1/4W		
	Q9002	KTC3199/GL-T	TRANSISTOR				R2802	QRE141J-222Y	C RESISTOR	2.2K 5% 1/4W		
	Q9003	KTA1267/YG-T	TRANSISTOR				R2803	QRE141J-622Y	C RESISTOR	6.2K 5% 1/4W		
	Q9004	KRC114M-T	TRANSISTOR				R3100	QRE141J-103Y	C RESISTOR	10K 5% 1/4W		
	Q9005	DTA144TS-T	D.TRANSISTOR				R3300	QRE141J-101Y	C RESISTOR	100 5% 1/4W		
	Q9006	KTC3199/GL-T	TRANSISTOR				R3301	QRE141J-152Y	C RESISTOR	1.5K 5% 1/4W		
	Q9007	KTC3199/GL-T	TRANSISTOR				R3400	QRE141J-682Y	C RESISTOR	6.8K 5% 1/4W		
	Q9201	KTB772/Y/	TRANSISTOR				R3401	QRE141J-682Y	C RESISTOR	6.8K 5% 1/4W		
	Q9202	KTC3199/GL-T	TRANSISTOR				R3402	QRE141J-124Y	C RESISTOR	120K 5% 1/4W		
	Q9301	KTA1267/YG-T	TRANSISTOR				R3403	QRE141J-154Y	C RESISTOR	150K 5% 1/4W		
	Q9302	KTC3199/GL-T	TRANSISTOR				R3404	QRE141J-223Y	C RESISTOR	22K 5% 1/4W		
	Q9402	KTC3199/GL-T	TRANSISTOR				R3405	QRE141J-513Y	C RESISTOR	51K 5% 1/4W		
	Q9403	DTC114YS-T	TRANSISTOR				R3500	QRE141J-101Y	C RESISTOR	100 5% 1/4W		
	Q9501	2SD2144S/VW-T	TRANSISTOR				R3501	QRE141J-222Y	C RESISTOR	2.2K 5% 1/4W		
	R1100	QRE141J-2R2Y	C RESISTOR	2.2 5% 1/4W			R3502	QRE141J-222Y	C RESISTOR	2.2K 5% 1/4W		
	R1101	QRE141J-2R2Y	C RESISTOR	2.2 5% 1/4W			R3503	QRE141J-222Y	C RESISTOR	2.2K 5% 1/4W		
	R1102	QRE141J-471Y	C RESISTOR	470 5% 1/4W			R9001	QRE141J-1R2Y	C RESISTOR	1.2 5% 1/4W		
	R1150	QRE141J-472Y	C RESISTOR	4.7K 5% 1/4W			R9002	QRE141J-1R2Y	C RESISTOR	1.2 5% 1/4W		
	R1151	QRE141J-682Y	C RESISTOR	6.8K 5% 1/4W			R9003	QRE141J-1R2Y	C RESISTOR	1.2 5% 1/4W		
	R1200	QRE141J-151Y	C RESISTOR	150 5% 1/4W			R9004	QRE141J-471Y	C RESISTOR	470 5% 1/4W		
	R1300	QRE141J-224Y	C RESISTOR	220K 5% 1/4W			R9005	QRE141J-152Y	C RESISTOR	1.5K 5% 1/4W		
	R1301	QRE141J-202Y	C RESISTOR	2.0K 5% 1/4W			R9006	QRE141J-272Y	C RESISTOR	2.7K 5% 1/4W		
	R1302	QRE141J-222Y	C RESISTOR	2.2K 5% 1/4W			R9007	QRE141J-681Y	C RESISTOR	680 5% 1/4W		
	R1303	QRE141J-153Y	C RESISTOR	15K 5% 1/4W			R9008	QRE141J-682Y	C RESISTOR	6.8K 5% 1/4W		
	R1304	QRE141J-153Y	C RESISTOR	15K 5% 1/4W			△	R9009	QRZ9005-680X	F RESISTOR	68 1/0W	
	R1305	QRE141J-183Y	C RESISTOR	18K 5% 1/4W			△	R9010	QRZ9005-680X	F RESISTOR	68 1/0W	
	R1306	QRE141J-622Y	C RESISTOR	6.2K 5% 1/4W			△	R9011	QRZ9005-680X	F RESISTOR	68 1/0W	
	R1307	QRE141J-182Y	C RESISTOR	1.8K 5% 1/4W				R9012	QRE141J-472Y	C RESISTOR	4.7K 5% 1/4W	
	R1400	QRE141J-223Y	C RESISTOR	22K 5% 1/4W				R9013	QRE141J-471Y	C RESISTOR	470 5% 1/4W	
	R1401	QRE141J-223Y	C RESISTOR	22K 5% 1/4W				R9014	QRE141J-472Y	C RESISTOR	4.7K 5% 1/4W	
	R1402	QRE141J-103Y	C RESISTOR	10K 5% 1/4W				R9015	QRE141J-472Y	C RESISTOR	4.7K 5% 1/4W	
	R1501	QRE141J-682Y	C RESISTOR	6.8K 5% 1/4W				R9016	QRE141J-472Y	C RESISTOR	4.7K 5% 1/4W	
	R1503	QRE141J-392Y	C RESISTOR	3.9K 5% 1/4W				R9017	QRE141J-103Y	C RESISTOR	10K 5% 1/4W	
	R1508	QRE141J-822Y	C RESISTOR	8.2K 5% 1/4W				R9018	QRE141J-391Y	C RESISTOR	390 5% 1/4W	
	R1600	QRE141J-303Y	C RESISTOR	30K 5% 1/4W				△	R9019	QRZ9005-680X	F RESISTOR	68 1/0W
	R1601	QRE141J-303Y	C RESISTOR	30K 5% 1/4W				△	R9100	QRZ9006-4R7X	F RESISTOR	4.7 1/0W
	R1800	QRE141J-912Y	C RESISTOR	9.1K 5% 1/4W				△	R9101	QRZ9006-5R6X	F RESISTOR	5.6 1/0W
	R1801	QRE141J-272Y	C RESISTOR	2.7K 5% 1/4W					R9201	QRE141J-103Y	C RESISTOR	10K 5% 1/4W
	R1802	QRE141J-222Y	C RESISTOR	2.2K 5% 1/4W					R9202	QRE141J-103Y	C RESISTOR	10K 5% 1/4W
	R1803	QRE141J-622Y	C RESISTOR	6.2K 5% 1/4W					R9203	QRE141J-820Y	C RESISTOR	82 5% 1/4W
	R2100	QRE141J-2R2Y	C RESISTOR	2.2 5% 1/4W					R9301	QUY150-050Y	BUS WIRE	

■ Electrical parts list (Main board)

Block No. 01

△	Item	Parts number	Parts name	Remarks	Area
	R9302	QRE141J-333Y	C RESISTOR	33K 5% 1/4W	
	R9303	QRE141J-101Y	C RESISTOR	100 5% 1/4W	
	R9304	QRE141J-390Y	C RESISTOR	39 5% 1/4W	
	R9403	QRE141J-100Y	C RESISTOR	10 5% 1/4W	
	R9404	QRE141J-6R8Y	C RESISTOR	6.8 5% 1/4W	
	R9405	QRE141J-391Y	C RESISTOR	390 5% 1/4W	
	R9501	QRE141J-471Y	C RESISTOR	470 5% 1/4W	
	W 300	QJK015-021102	WIRE		
	W 301	QJK008-051400	WIRE		
	W 901	WJK0070-001A	WIRE		
△	Z 901	QNG0020-001Z	FUSE CLIP		
△	Z 902	QNG0020-001Z	FUSE CLIP		
△	Z 903	QNG0020-001Z	FUSE CLIP		
△	Z 904	QNG0020-001Z	FUSE CLIP		

■ Electrical parts list (Micon board)


Block No. 02

△	Item	Parts number	Parts name	Remarks	Area	△	Item	Parts number	Parts name	Remarks	Area
	BL701	QLL0089-001	PILOT LAMP	ORANGE LAMP			L7002	QQL231K-100Y	INDUCTOR	US5V	
	BL702	QLL0089-001	PILOT LAMP	ORANGE LAMP			L7003	QQL231K-470Y	INDUCTOR	AVDD & VDD	
	CN711	QGB1214K1-14S	CONNECTOR	TO MAIN PWB			L7005	QQL231K-4R7Y	INDUCTOR	AVREF	
	CN712	QGB1214K1-20S	CONNECTOR	TO MAIN PWB			Q7001	2SC2668/O-T	TRANSISTOR	CLOCK SHIFT	
	CN721	QGA2001C1-03	3P PLUG ASSY	TO CD DOOR SW P			Q7002	2SC2668/O-T	TRANSISTOR	CLOCK SHIFT	
	CN732	QGF1205C1-09	CONNECTOR	TO TUNER PWB			Q7031	2SA1037AK/RS/-X	TRANSISTOR	SW5V	
	CN766	QGF1205C1-13	CONNECTOR	TO CD PWB			Q7051	DTC114TKA-X	TRANSISTOR	RESET SW	
	CN781	QGB1216J1-08S	CONNECTOR	TO FRONT SW PWB			Q7061	2SC2412K/R/-X	TRANSISTOR	BACKUP CONT	
	CN881	QGB1216K1-08S	CONNECTOR				Q7091	2SC2412K/R/-X	TRANSISTOR	POUT DRIVER	
	C7001	NCS21HJ-180X	C CAPACITOR				Q7601	DTC144TKA-X	TRANSISTOR		
	C7002	NCS21HJ-180X	C CAPACITOR				Q7602	DTC144TKA-X	TRANSISTOR		
	C7004	NCS21HJ-360X	C CAPACITOR				Q7603	2SC2412K/R/-X	TRANSISTOR		
	C7005	NCS21HJ-390X	C CAPACITOR				Q8002	DTA114TKA-X	D.TRANSISTOR		
	C7006	NCS21HJ-200X	C CAPACITOR				R7005	NRSA02J-822X	MG RESISTOR		
	C7007	NCS21HJ-220X	C CAPACITOR				R7006	NRSA02J-822X	MG RESISTOR		
	C7008	NCB21HK-102X	C CAPACITOR				R7031	NRSA02J-331X	MG RESISTOR		
	C7009	NCB21HK-102X	C CAPACITOR				R7032	NRSA02J-103X	MG RESISTOR		
	C7011	EEKC1AM-107ZJC	E CAPACITOR				R7033	NRSA02J-102X	MG RESISTOR		
	C7012	NCB21HK-103X	C CAPACITOR				R7051	NRSA02J-103X	MG RESISTOR		
	C7013	QFVF1HJ-104Z	MF CAPACITOR	.10MF 5% 50V			R7052	NRSA02J-103X	MG RESISTOR		
	C7014	EETC1CM-106ZJC	E CAPACITOR				R7061	NRSA02J-333X	MG RESISTOR		
	C7031	EETB0JM-228JC	E CAPACITOR				R7062	NRSA02J-473X	MG RESISTOR		
	C7051	QETN1HM-684Z	E CAPACITOR	.68MF 20% 50V			R7063	NRSA02J-104X	MG RESISTOR		
	C7052	EETC1HM-225ZJC	E CAPACITOR				R7081	NRSA02J-104X	MG RESISTOR		
	C7081	NCB21CK-104X	C CAPACITOR				R7082	NRSA02J-104X	MG RESISTOR		
	C7601	NCS21HJ-151X	C CAPACITOR				R7083	NRSA02J-104X	MG RESISTOR		
	C7602	NCS21HJ-151X	C CAPACITOR				R7084	NRSA02J-273X	MG RESISTOR		
	C7623	NCS21HJ-101X	C CAPACITOR				R7429	NRSA02J-913X	MG RESISTOR		
	C7624	NCS21HJ-101X	C CAPACITOR				R7430	NRSA02J-102X	MG RESISTOR		
	C7633	NCB21HK-102X	C CAPACITOR				R7528	NRSA02J-223X	MG RESISTOR		
	C7641	NCS21HJ-151X	C CAPACITOR				R7529	NRSA02J-473X	MG RESISTOR		
	C7701	NCS21HJ-151X	C CAPACITOR				R7530	NRSA02J-103X	MG RESISTOR		
	C7702	NCS21HJ-151X	C CAPACITOR				R7602	NRSA02J-102X	MG RESISTOR		
	C7704	NCS21HJ-101X	C CAPACITOR				R7614	NRSA02J-103X	MG RESISTOR		
	C7801	NCB21HK-103X	C CAPACITOR				R7615	NRSA02J-103X	MG RESISTOR		
	C7802	NCB21HK-103X	C CAPACITOR				R7619	NRSA02J-122X	MG RESISTOR		
	C7803	NCB21HK-102X	C CAPACITOR				R7620	NRSA02J-102X	MG RESISTOR		
	C7804	NCB21HK-103X	C CAPACITOR				R7621	NRSA02J-122X	MG RESISTOR		
	C7809	NCB21HK-102X	C CAPACITOR				R7622	NRSA02J-102X	MG RESISTOR		
	C7810	NCB21HK-103X	C CAPACITOR				R7625	NRSA02J-823X	MG RESISTOR		
	C8001	NCB21HK-102X	C CAPACITOR				R7628	NRSA02J-823X	MG RESISTOR		
	C8002	QEK1CM-476Z	E CAPACITOR	47MF 20% 16V			R7629	NRSA02J-103X	MG RESISTOR		
	C8003	NCB21HK-103X	C CAPACITOR				R7630	NRSA02J-563X	MG RESISTOR		
	C8011	NCB21HK-103X	C CAPACITOR				R7631	NRSA02J-104X	MG RESISTOR		
	D1701	QLD0119-001	LCD	44 PIN LCD			R7632	NRSA02J-103X	MG RESISTOR		
	D7001	1SS133-T2	SI DIODE	US5V			R7633	NRSA02J-103X	MG RESISTOR		
	D7011	MTZJ8.2B-T2	DIODE				R7634	NRSA02J-103X	MG RESISTOR		
	D7012	1SS133-T2	SI DIODE				R7635	NRSA02J-104X	MG RESISTOR		
	D7013	1SS133-T2	SI DIODE				R7639	NRSA02J-222X	MG RESISTOR		
	D7031	1SS133-T2	SI DIODE	BACK UP			R7641	NRSA02J-102X	MG RESISTOR		
	D7032	1SS133-T2	SI DIODE	CLOCK			R7642	NRSA02J-102X	MG RESISTOR		
	D7051	1SS133-T2	SI DIODE	RESET			R7647	NRSA02J-104X	MG RESISTOR		
	D7061	MTZJ5.1C-T2	ZENER DIODE	BACK UP CONT.			R7648	NRSA02J-394X	MG RESISTOR		
	D7091	1SS133-T2	SI DIODE	US5V			R7649	NRSA02J-823X	MG RESISTOR		
	D7092	1SS133-T2	SI DIODE	5V-REMCON&STBLE			R7651	NRSA02J-473X	MG RESISTOR		
	D8003	SLR-342VC-T	LED	RED LED			R7652	NRSA02J-473X	MG RESISTOR		
	IC701	UPD78064GF-178	IC				R7655	NRSA02J-102X	MG RESISTOR		
	IC703	KIA78S06P-T	IC	US6V REG			R7701	NRSA02J-102X	MG RESISTOR		
	IC801	GP1U261X	IR DETECT UNIT				R7702	NRSA02J-102X	MG RESISTOR		
	K7001	NQR0006-001X	FERRITE BEAD	ICVSS			R7703	NRSA02J-102X	MG RESISTOR		
	K7002	NQR0006-001X	FERRITE BEAD	AVSS			R7704	NRSA02J-103X	MG RESISTOR		
	K7004	NQR0006-001X	FERRITE BEAD	SW GND			R7705	NRSA02J-102X	MG RESISTOR		
	K7005	NQR0006-001X	FERRITE BEAD	VSS			R7711	NRSA02J-222X	MG RESISTOR		

■ Electrical parts list (Micon board)

Block No. 02

	Item	Parts number	Parts name	Remarks	Area
	R7712	NRSA02J-102X	MG RESISTOR		
	R7713	NRSA02J-222X	MG RESISTOR		
	R7715	NRSA02J-222X	MG RESISTOR		
	R7716	NRSA02J-222X	MG RESISTOR		
	R7717	NRSA02J-472X	MG RESISTOR		
	R7718	NRSA02J-102X	MG RESISTOR		
	R7719	NRSA02J-102X	MG RESISTOR		
	R7720	NRSA02J-102X	MG RESISTOR		
	R7721	NRSA02J-102X	MG RESISTOR		
	R7722	NRSA02J-102X	MG RESISTOR		
	R7723	NRSA02J-222X	MG RESISTOR		
	R7724	NRSA02J-222X	MG RESISTOR		
	R7725	NRSA02J-222X	MG RESISTOR		
	R7726	NRSA02J-222X	MG RESISTOR		
	R7728	NRSA02J-222X	MG RESISTOR		
	R7729	NRSA02J-222X	MG RESISTOR		
	R7730	NRSA02J-222X	MG RESISTOR		
	R7731	NRSA02J-222X	MG RESISTOR		
	R7732	NRSA02J-222X	MG RESISTOR		
	R7733	NRSA02J-222X	MG RESISTOR		
	R7734	NRSA02J-222X	MG RESISTOR		
	R7735	NRSA02J-222X	MG RESISTOR		
	R7738	NRSA02J-222X	MG RESISTOR		
	R7739	NRSA02J-222X	MG RESISTOR		
	R7741	NRSA02J-222X	MG RESISTOR		
	R7742	NRSA02J-222X	MG RESISTOR		
	R7743	NRSA02J-222X	MG RESISTOR		
	R7744	NRSA02J-222X	MG RESISTOR		
	R7745	NRSA02J-222X	MG RESISTOR		
	R7747	NRSA02J-222X	MG RESISTOR		
	R7748	NRSA02J-153X	MG RESISTOR		
	R7749	NRSA02J-123X	MG RESISTOR		
	R7750	NRSA02J-222X	MG RESISTOR		
	R7799	NRSA02J-102X	MG RESISTOR		
	R8001	NRSA02J-102X	MG RESISTOR		
	R8002	NRSA02J-102X	MG RESISTOR		
	R8003	NRSA02J-122X	MG RESISTOR		
	R8011	NRSA02J-102X	MG RESISTOR		
	R8012	NRSA02J-102X	MG RESISTOR		
	R8013	NRSA02J-122X	MG RESISTOR		
	R8014	NRSA02J-152X	MG RESISTOR		
	R8015	NRSA02J-222X	MG RESISTOR		
	R8016	NRSA02J-272X	MG RESISTOR		
	R8017	NRSA02J-392X	MG RESISTOR		
	R8018	NRSA02J-562X	MG RESISTOR		
	R8019	NRSA02J-103X	MG RESISTOR		
	R8020	NRSA02J-183X	MG RESISTOR		
	R8021	NRSA02J-433X	MG RESISTOR		
	R8031	NRSA02J-681X	MG RESISTOR		
	S8001	QSW0674-001Z	TACT SWITCH	REVERSE MODE	
	S8002	QSW0674-001Z	TACT SWITCH	REC	
	S8003	QSW0674-001Z	TACT SWITCH	AUX	
	S8004	QSW0674-001Z	TACT SWITCH	POWER	
	S8011	QSW0674-001Z	TACT SWITCH	OPEN/CLOSE	
	S8012	QSW0674-001Z	TACT SWITCH	VOLUME -	
	S8013	QSW0674-001Z	TACT SWITCH	VOLUME +	
	S8014	QSW0674-001Z	TACT SWITCH	AHB PRO	
	S8015	QSW0674-001Z	TACT SWITCH	TIMER	
	S8016	QSW0674-001Z	TACT SWITCH	CLOCK	
	S8017	QSW0674-001Z	TACT SWITCH	CD	
	S8018	QSW0674-001Z	TACT SWITCH	TUNER	
	S8019	QSW0674-001Z	TACT SWITCH	TAPE	
	S8020	QSW0674-001Z	TACT SWITCH	DOWN	

	Item	Parts number	Parts name	Remarks	Area
	S8021	QSW0674-001Z	TACT SWITCH	STOP	
	S8022	QSW0674-001Z	TACT SWITCH	UP	
	S8101	QSW0451-001	DETECT SWITCH	OPEN SWITCH	
	S8102	QSW0451-001	DETECT SWITCH	CLOSE SWITCH	
	W 701	QUM154-12Z4Z4	FLAT WIRE		
	W 821	QJB002-032403	WIRE ASSEMBLY		
	X7001	QAX0401-001	CRYSTAL	SUB CLOCK	
	X7002	QAX0410-001Z	CERA LOCK	MAIN CLOCK	

■ Electrical parts list (CD board)

Block No. 03

△	Item	Parts number	Parts name	Remarks	Area
	CN601	QGF1201F3-13	CONNECTOR		
	CN602	QGF1201F3-10	CONNECTOR		
	CN603	QGF1016F1-16	FFC/FPC CONNE		
	CN605	QGA2001C1-06	6P PLUG ASSY		
	C6001	QEKC0JM-107Z	E CAPACITOR	100MF 20% 6.3V	
	C6002	QEKC1CM-106Z	E CAPACITOR	10MF 20% 16V	
	C6003	NDC21HJ-3R5X	C CAPACITOR		
	C6005	NCS21HJ-331X	C CAPACITOR		
	C6007	NCB21HK-222X	C CAPACITOR		
	C6008	QEKC1HM-105Z	E CAPACITOR	1.0MF 20% 50V	
	C6009	NCS21HJ-101X	C CAPACITOR		
	C6010	NCB21HK-273X	C CAPACITOR		
	C6011	NCB21HK-222X	C CAPACITOR		
	C6012	NCB21HK-103X	C CAPACITOR		
	C6014	NCB21EK-104X	C CAPACITOR		
	C6015	NCB21HK-223X	C CAPACITOR		
	C6016	NCB21HK-223X	C CAPACITOR		
	C6017	NCB21HK-223X	C CAPACITOR		
	C6018	NCB21HK-222X	C CAPACITOR		
	C6019	NCS21HJ-271X	C CAPACITOR		
	C6020	NCS21HJ-181X	C CAPACITOR		
	C6021	NCS21HJ-821X	C CAPACITOR		
	C6022	QEKC0JM-476Z	E CAPACITOR	47MF 20% 6.3V	
	C6023	NCB21EK-104X	C CAPACITOR		
	C6028	NCB21EK-473X	C CAPACITOR		
	C6029	QEKC0JM-107Z	E CAPACITOR	100MF 20% 6.3V	
	C6031	EEKC1AM-227ZJC	E CAPACITOR		
	C6032	QEKC0JM-107Z	E CAPACITOR	100MF 20% 6.3V	
	C6051	NDC21HJ-120X	C CAPACITOR		
	C6052	NDC21HJ-150X	C CAPACITOR		
	C6053	NCB21HK-223X	C CAPACITOR		
	C6055	NCB21EK-473X	C CAPACITOR		
	C6058	NCS21HJ-6R0X	C CAPACITOR		
	C6061	NCS21HJ-471X	C CAPACITOR		
	C6062	NCB21HK-223X	C CAPACITOR		
	C6063	NCB21HK-223X	C CAPACITOR		
	C6064	NCB21HK-223X	C CAPACITOR		
	C6065	NCB21CK-334X	C CAPACITOR		
	C6071	NCB21HK-222X	C CAPACITOR		
	C6072	NCB21HK-222X	C CAPACITOR		
	C6073	EEKC1AM-227ZJC	E CAPACITOR		
	C6074	EEKC1AM-227ZJC	E CAPACITOR		
	C6075	NCB21HK-102X	C CAPACITOR		
	C6076	NCB21HK-102X	C CAPACITOR		
	C6077	NCB21HK-223X	C CAPACITOR		
	C6080	EEKC1AM-227ZJC	E CAPACITOR		
	C6081	EEKC1AM-227ZJC	E CAPACITOR		
	C6083	NCB21HK-223X	C CAPACITOR		
	C6089	NCB21HK-472X	C CAPACITOR		
	C6090	NCB21HK-153X	C CAPACITOR		
	C6091	QEKF1HM-105Z	NP E CAPACITOR	1.0MF 20% 50V	
	C6092	QEKF1HM-225Z	E CAPACITOR	2.2MF 20% 50V	
	C6094	NCB21HK-104X	C CAPACITOR		
	C6096	NCS21HJ-391X	C CAPACITOR		
	C6097	NCS21HJ-391X	C CAPACITOR		
	C6098	NCS21HJ-391X	C CAPACITOR		
	C6099	NCS21HJ-391X	C CAPACITOR		
	C6154	NCS21HJ-151X	C CAPACITOR		
	C6156	NCS21HJ-151X	C CAPACITOR		
	C6157	NCS21HJ-151X	C CAPACITOR		
	C6158	NCS21HJ-151X	C CAPACITOR		
	D6061	1SS355-X	DIODE		
	D6062	1SS355-X	DIODE		
	D6063	1SS355-X	DIODE		
	IC601	AN8806SB-W	IC		

△	Item	Parts number	Parts name	Remarks	Area
	IC602	LA6541-X	IC		
	IC603	MN35510AL	IC		
	K6051	QQR0621-001Z	FERRITE BEADS		
	Q6001	2SA1037AK/R/-X	TRANSISTOR		
	Q6031	2SA952/LK/-T	TRANSISTOR		
	R6001	NRSA02J-123X	MG RESISTOR		
	R6002	NRSA02J-225X	MG RESISTOR		
	R6003	NRSA02J-102X	MG RESISTOR		
	R6005	NRSA02J-274X	MG RESISTOR		
	R6006	NRSA02J-473X	MG RESISTOR		
	R6007	NRSA02J-273X	MG RESISTOR		
	R6008	NRSA02J-564X	MG RESISTOR		
	R6009	NRSA02J-563X	MG RESISTOR		
	R6010	NRSA02J-104X	MG RESISTOR		
	R6012	NRSA02J-103X	MG RESISTOR		
	R6013	NRSA02J-121X	MG RESISTOR		
	R6014	NRSA02J-100X	MG RESISTOR		
	R6015	NRSA02J-120X	MG RESISTOR		
	R6016	NRSA02J-910X	MG RESISTOR		
	R6021	NRSA02J-101X	MG RESISTOR		
	R6022	NRSA02J-101X	MG RESISTOR		
	R6023	NRSA02J-101X	MG RESISTOR		
	R6024	NRSA02J-154X	MG RESISTOR		
	R6025	NRSA02J-154X	MG RESISTOR		
	R6026	NRSA02J-393X	MG RESISTOR		
	R6027	NRSA02J-393X	MG RESISTOR		
	R6028	NRSA02J-393X	MG RESISTOR		
	R6029	NRSA02J-393X	MG RESISTOR		
	R6031	NRSA02J-0R0X	MG RESISTOR		
	R6032	NRSA02J-0R0X	MG RESISTOR		
	R6041	NRSA02J-104X	MG RESISTOR		
	R6042	NRSA02J-472X	MG RESISTOR		
	R6043	NRSA02J-392X	MG RESISTOR		
	R6044	NRSA02J-623X	MG RESISTOR		
	R6045	NRSA02J-433X	MG RESISTOR		
	R6046	NRSA02J-0R0X	MG RESISTOR		
	R6047	NRSA02J-332X	MG RESISTOR		
	R6048	NRSA02J-222X	MG RESISTOR		
	R6049	NRSA02J-152X	MG RESISTOR		
	R6050	NRSA02J-332X	MG RESISTOR		
	R6051	NRSA02J-102X	MG RESISTOR		
	R6052	NRSA02J-102X	MG RESISTOR		
	R6053	NRSA02J-102X	MG RESISTOR		
	R6054	NRSA02J-102X	MG RESISTOR		
	R6055	NRSA02J-102X	MG RESISTOR		
	R6056	NRSA02J-0R0X	MG RESISTOR		
	R6057	NRSA02J-0R0X	MG RESISTOR		
	R6058	NRSA02J-0R0X	MG RESISTOR		
	R6059	NRSA02J-471X	MG RESISTOR		
	R6060	NRSA02J-471X	MG RESISTOR		
	R6061	NRSA02J-104X	MG RESISTOR		
	R6063	NRSA02J-124X	MG RESISTOR		
	R6064	NRSA02J-681X	MG RESISTOR		
	R6066	NRSA02J-220X	MG RESISTOR		
	R6067	NRSA02J-220X	MG RESISTOR		
	R6068	NRSA02J-220X	MG RESISTOR		
	R6069	NRSA02J-155X	MG RESISTOR		
	R6071	NRSA02J-102X	MG RESISTOR		
	R6072	NRSA02J-102X	MG RESISTOR		
	R6076	NRSA02J-0R0X	MG RESISTOR		
	R6080	NRSA02J-0R0X	MG RESISTOR		
	R6081	NRSA02J-0R0X	MG RESISTOR		
	R6082	NRSA02J-392X	MG RESISTOR		
	R6121	NRSA02J-101X	MG RESISTOR		
	X6051	QAX0413-001Z	CRYSTAL		

■ Electrical parts list (Tuner board)

Block No. 04

△	Item	Parts number	Parts name	Remarks	Area	△	Item	Parts number	Parts name	Remarks	Area
	C 1	NCB21HK-223X	C CAPACITOR				D 4	1SS133-T2	SI DIODE		
	C 2	NCB21HK-103X	C CAPACITOR				D 11	1SS133-T2	SI DIODE		
	C 3	EETC1CM-106ZJC	E CAPACITOR				IC 1	LA1838	IC		
	C 4	NCB21HK-103X	C CAPACITOR				IC 2	LC72136N	IC		
	C 6	NCB21HK-102X	C CAPACITOR				J 1	QNB0014-001	ANT TERMINAL		
	C 7	NCB21HK-102X	C CAPACITOR				L 1	QQR0884-001	COIL BLOCK		
	C 8	NCB21HK-102X	C CAPACITOR				L 2	QQL231K-330Y	INDUCTOR		
	C 9	NCB21HK-102X	C CAPACITOR				L 3	QQL231K-4R7Y	INDUCTOR		
	C 10	NCS21HJ-120X	C CAPACITOR				Q 1	2SC2814/4-5/-X	TRANSISTOR		
	C 11	NCB21HK-104X	C CAPACITOR				Q 2	2SC1623/5-6/-X	TRANSISTOR		
	C 12	NCB21HK-473X	C CAPACITOR				Q 3	2SC1623/5-6/-X	TRANSISTOR		
	C 13	NCS21HJ-120X	C CAPACITOR				Q 4	DTA114YKA-X	TRANSISTOR		
	C 14	EEKC1AM-107ZJC	E CAPACITOR				Q 5	DTA114YKA-X	TRANSISTOR		
	C 15	NCS21HJ-120X	C CAPACITOR				R 2	NRSA02J-331X	MG RESISTOR		
	C 16	NCS21HJ-120X	C CAPACITOR				R 3	NRSA02J-224X	MG RESISTOR		
	C 17	NCB21HK-392X	C CAPACITOR				R 4	NRSA02J-331X	MG RESISTOR		
	C 18	QE061HM-474Z	N.P.E.CAPACITOR	.47MF 20% 50V			R 5	NRSA02J-560X	MG RESISTOR		
	C 19	NCB21HK-473X	C CAPACITOR				R 6	NRSA02J-120X	MG RESISTOR		
	C 20	NCB21HK-102X	C CAPACITOR				R 10	NRSA02J-222X	MG RESISTOR		
	C 21	NCB21HK-223X	C CAPACITOR				R 11	NRSA02J-472X	MG RESISTOR		
	C 22	NCS21HJ-151X	C CAPACITOR				R 12	NRSA02J-472X	MG RESISTOR		
	C 23	NCS21HJ-151X	C CAPACITOR				R 13	NRSA02J-103X	MG RESISTOR		
	C 24	NCS21HJ-151X	C CAPACITOR				R 14	NRSA02J-104X	MG RESISTOR		
	C 25	EEKC1AM-107ZJC	E CAPACITOR				R 15	NRSA02J-332X	MG RESISTOR		
	C 26	NCB21HK-103X	C CAPACITOR				R 16	NRSA02J-472X	MG RESISTOR		
	C 27	NCB21HK-103X	C CAPACITOR			△	R 17	QRZ9005-680X	F.RESISTOR	68 1/0W	
	C 30	EEKC1CM-107ZJC	E CAPACITOR				R 18	NRSA02J-102X	MG RESISTOR		
	C 31	EEKC1CM-226ZJC	E CAPACITOR				R 19	NRSA02J-102X	MG RESISTOR		
	C 32	NCB21HK-473X	C CAPACITOR				R 20	NRSA02J-102X	MG RESISTOR		
	C 33	NCB21HK-473X	C CAPACITOR				R 21	NRSA02J-562X	MG RESISTOR		
	C 34	NCB21HK-223X	C CAPACITOR				R 22	NRSA02J-472X	MG RESISTOR		
	C 35	NCB21HK-473X	C CAPACITOR				R 23	NRSA02J-182X	MG RESISTOR		
	C 36	EEKC1HM-105ZJC	E CAPACITOR				R 24	NRSA02J-103X	MG RESISTOR		
	C 37	EEKC1HM-105ZJC	E CAPACITOR				R 25	NRSA02J-331X	MG RESISTOR		
	C 38	EETC1HM-224ZJC	E CAPACITOR				R 26	NRSA02J-222X	MG RESISTOR		
	C 39	EETC1HM-105ZJC	E CAPACITOR				R 27	NRSA02J-103X	MG RESISTOR		
	C 40	QETN1CM-106Z	E CAPACITOR	10MF 20% 16V			R 28	NRSA02J-103X	MG RESISTOR		
	C 41	QETN1CM-106Z	E CAPACITOR	10MF 20% 16V			R 29	NRSA02J-103X	MG RESISTOR		
	C 42	NCB21HK-182X	C CAPACITOR				R 30	NRSA02J-122X	MG RESISTOR		
	C 43	NCB21HK-182X	C CAPACITOR				R 31	NRSA02J-102X	MG RESISTOR		
	C 44	QETN1CM-106Z	E CAPACITOR	10MF 20% 16V			R 32	NRSA02J-102X	MG RESISTOR		
	C 45	QETN1CM-106Z	E CAPACITOR	10MF 20% 16V			R 33	NRSA02J-331X	MG RESISTOR		
	C 46	NCB21HK-223X	C CAPACITOR				R 34	NRSA02J-470X	MG RESISTOR		
	C 47	EETC1HM-105ZJC	E CAPACITOR				R 35	NRSA02J-562X	MG RESISTOR		
	C 48	NCB21HK-222X	C CAPACITOR				R 36	NRSA02J-332X	MG RESISTOR		
	C 49	NCS21HJ-471X	C CAPACITOR				R 37	NRSA02J-103X	MG RESISTOR		
	C 50	EEKC1CM-226ZJC	E CAPACITOR				R 38	NRSA02J-393X	MG RESISTOR		
	C 51	EEKC1HM-105ZJC	E CAPACITOR				R 39	NRSA02J-393X	MG RESISTOR		
	C 52	QFVJ1HJ-274Z	MF CAPACITOR	.27MF 5% 50V			R 40	NRSA02J-393X	MG RESISTOR		
	C 53	EETC1CM-226ZJC	E CAPACITOR				R 41	NRSA02J-332X	MG RESISTOR		
	C 54	NCB21HK-473X	C CAPACITOR				R 60	NRSA02J-0R0X	MG RESISTOR		
	C 55	NCS21HJ-330X	C CAPACITOR				T 1	QQR0793-001	IFT		
	C 56	NCS21HJ-100X	C CAPACITOR				TU 1	QAU0160-001	FRONT END		
	C 57	NCB21HK-102X	C CAPACITOR				X 1	QAX0402-001	CRYSTAL		
	C 58	NCB21HK-473X	C CAPACITOR								
	C 59	NCB21HK-102X	C CAPACITOR								
	CF 1	QAX0420-001	C FILTER								
	CF 2	QAX0458-001Z	C FILTER								
	CF 3	QAX0610-001Z	C DISCRIMINATOR								
	CN 1	QGF1205F1-09	CONNECTOR								
	D 1	1SS133-T2	SI DIODE								
	D 2	1SS133-T2	SI DIODE								
	D 3	1SS133-T2	SI DIODE								

■ Electrical parts list
 (Head amplifier & mechanism control board)

Block No. 05

△	Item	Parts number	Parts name	Remarks	Area
	C 101	NCS21HJ-821X	C CAPACITOR		
	C 102	NCS21HJ-221X	C CAPACITOR		
	C 103	QEKJ0JM-227Z	E CAPACITOR	220MF 20% 6.3V	
	C 104	NCB21HK-333X	C CAPACITOR		
	C 105	NCB21HK-222X	C CAPACITOR		
	C 106	QEK41CM-106	E CAPACITOR	10MF 20% 16V	
	C 107	NCS21HJ-561X	C CAPACITOR		
	C 108	QEK41EM-475	E CAPACITOR	4.7MF 20% 25V	
	C 109	QEK41EM-475	E CAPACITOR	4.7MF 20% 25V	
	C 110	NCB21HK-682X	C CAPACITOR		
	C 111	NCB21HK-122X	C CAPACITOR		
	C 112	NCB21EK-683X	C CAPACITOR		
	C 113	NCB21HK-222X	C CAPACITOR		
	C 121	NCS21HJ-331X	C CAPACITOR		
	C 201	NCS21HJ-821X	C CAPACITOR		
	C 202	NCS21HJ-221X	C CAPACITOR		
	C 203	QEKJ0JM-227Z	E CAPACITOR	220MF 20% 6.3V	
	C 204	NCB21HK-333X	C CAPACITOR		
	C 205	NCB21HK-222X	C CAPACITOR		
	C 206	QEK41CM-106	E CAPACITOR	10MF 20% 16V	
	C 207	NCS21HJ-561X	C CAPACITOR		
	C 208	QEK41EM-475	E CAPACITOR	4.7MF 20% 25V	
	C 209	QEK41EM-475	E CAPACITOR	4.7MF 20% 25V	
	C 210	NCB21HK-682X	C CAPACITOR		
	C 211	NCB21HK-122X	C CAPACITOR		
	C 212	NCB21EK-683X	C CAPACITOR		
	C 213	NCB21HK-222X	C CAPACITOR		
	C 221	NCS21HJ-331X	C CAPACITOR		
	C 301	QEKJ1AM-107Z	E CAPACITOR	100MF 20% 10V	
	C 302	NCB21HK-393X	C CAPACITOR		
	C 303	QEKJ0JM-227Z	E CAPACITOR	220MF 20% 6.3V	
	C 304	QEKJ1CM-226Z	E CAPACITOR	22MF 20% 16V	
	C 305	QEKJ1CM-226Z	E CAPACITOR	22MF 20% 16V	
	C 306	QEK41CM-476	E CAPACITOR	47MF 20% 16V	
	C 307	NCB21HK-103X	C CAPACITOR		
	C 308	NCB21HK-562X	C CAPACITOR		
	C 309	NCB21HK-562X	C CAPACITOR		
	C 310	NCB21HK-223X	C CAPACITOR		
	C 311	NCB21HK-682X	C CAPACITOR		
	C 313	QEKJ1AM-107Z	E CAPACITOR	100MF 20% 10V	
	C 314	QCZ0205-155Z	ML C CAPACITOR	1.5MF	
	C 315	QCZ0205-155Z	ML C CAPACITOR	1.5MF	
	C 316	QFG32AJ-103Z	PP CAPACITOR	.010MF 5% 100V	
	C 318	NCB21HK-103X	C CAPACITOR		
	C 319	QFG32AJ-821Z	PP CAPACITOR	820PF 5% 100V	
	C 321	NCB21HK-103X	C CAPACITOR		
	C 322	QFG32AJ-152Z	PP CAPACITOR	1500PF 5% 100V	
	C 331	QEK41CM-476	E CAPACITOR	47MF 20% 16V	
	C 351	QEK41CM-106	E CAPACITOR	10MF 20% 16V	
	C 371	QEK41EM-475	E CAPACITOR	4.7MF 20% 25V	
	C 374	QEKJ1AM-107Z	E CAPACITOR	100MF 20% 10V	
	C 375	QEKJ1AM-107Z	E CAPACITOR	100MF 20% 10V	
	C 376	NCB21HK-103X	C CAPACITOR		
	CN 31	QGF1201F3-06	CONNECTOR	PRI/HEAD	
	CN 32	QGB2011M1-10	B TO B CONNECTO	PRI/MECHA	
	CN 33	QGF1205F1-09	CONNECTOR	PRI/MICON	
	CN 34	QGF1201F3-10	CONNECTOR	PRI/AMP	
	D 301	MA152WA-X	DIODE		
	D 309	MA704A-X	S.K.DIODE		
	D 375	MA3051M/-X	ZENER DIODE		
	FW 31	QUM024-06A2Z3	PARA RIBON WIRE		
	IC 31	BA3126N	IC	HEAD SW	
	IC 32	AN7317	IC	PB&REC	

△	Item	Parts number	Parts name	Remarks	Area
	IC 33	BU4094BCF-X	IC		
	L 301	QQR0620-001	OSC COIL(BIAS)		
	L 303	QLL01BK-100Z	INDUCTOR		
	Q 101	DTC114TKA-X	TRANSISTOR		
	Q 102	DTC114TKA-X	TRANSISTOR	REC EQ CONT.	
	Q 201	DTC114TKA-X	TRANSISTOR		
	Q 202	DTC114TKA-X	TRANSISTOR	REC EQ CONT.	
	Q 301	DTA144EKA-X	TRANSISTOR	REC EQ CONT.	
	Q 302	2SC2001/K/-T	TRANSISTOR		
	Q 303	2SC2001/K/-T	TRANSISTOR		
	Q 304	2SC2001/LK/-T	TRANSISTOR		
	Q 305	2SC2001/LK/-T	TRANSISTOR		
	Q 306	2SC2412K/RS/-X	CHIP TRANSISTOR		
	Q 307	2SC2412K/RS/-X	CHIP TRANSISTOR		
	Q 308	2SC2412K/RS/-X	CHIP TRANSISTOR		
	Q 309	2SC2412K/RS/-X	CHIP TRANSISTOR		
	Q 321	DTC144EKA-X	TRANSISTOR		
	Q 323	2SC2412K/RS/-X	CHIP TRANSISTOR		
	Q 371	2SA952/LK/-T	TRANSISTOR	MOTER+B	
	Q 372	DTC124EKA-X	TRANSISTOR		
	Q 375	2SB562/C/-T	TRANSISTOR	SOLENOID DRIVE	
	Q 376	2SC2412K/RS/-X	CHIP TRANSISTOR		
	R 101	NRSA63J-220X	MG RESISTOR		
	R 102	NRSA63J-182X	MG RESISTOR		
	R 103	NRSA63J-242X	MG RESISTOR		
	R 104	NRSA63J-122X	MG RESISTOR		
	R 105	NRSA63J-104X	MG RESISTOR		
	R 106	NRSA63J-332X	MG RESISTOR		
	R 107	NRSA63J-123X	MG RESISTOR		
	R 108	NRSA63J-562X	MG RESISTOR		
	R 109	NRSA63J-122X	MG RESISTOR		
	R 110	NRSA63J-472X	MG RESISTOR		
	R 111	NRSA63J-333X	MG RESISTOR		
	R 112	NRSA63J-222X	MG RESISTOR		
	R 113	NRSA63J-472X	MG RESISTOR		
	R 114	NRSA63J-272X	MG RESISTOR		
	R 116	NRSA63J-102X	MG RESISTOR		
	R 121	NRSA63J-102X	MG RESISTOR		
	R 201	NRSA63J-220X	MG RESISTOR		
	R 202	NRSA63J-182X	MG RESISTOR		
	R 203	NRSA63J-242X	MG RESISTOR		
	R 204	NRSA63J-122X	MG RESISTOR		
	R 205	NRSA63J-104X	MG RESISTOR		
	R 206	NRSA63J-332X	MG RESISTOR		
	R 207	NRSA63J-123X	MG RESISTOR		
	R 208	NRSA63J-562X	MG RESISTOR		
	R 209	NRSA63J-122X	MG RESISTOR		
	R 210	NRSA63J-472X	MG RESISTOR		
	R 211	NRSA63J-333X	MG RESISTOR		
	R 212	NRSA63J-222X	MG RESISTOR		
	R 213	NRSA63J-472X	MG RESISTOR		
	R 214	NRSA63J-272X	MG RESISTOR		
	R 216	NRSA63J-102X	MG RESISTOR		
	R 221	NRSA63J-102X	MG RESISTOR		
	R 301	NRS181J-221X	MG RESISTOR		
	R 303	NRSA63J-393X	MG RESISTOR		
	R 304	NRS181J-101X	MG RESISTOR		
	R 305	NRSA63J-222X	MG RESISTOR		
	R 306	NRSA63J-222X	MG RESISTOR		
	R 310	NRS181J-560X	MG RESISTOR	1/8W	
	R 311	NRS181J-560X	MG RESISTOR	1/8W	
	R 313	NRSA63J-3R3X	MG RESISTOR		
	R 314	NRSA63J-223X	MG RESISTOR		

■ Electrical parts list
(Head amplifier & mechanism control board) Block No. 05

△	Item	Parts number	Parts name	Remarks	Area
	R 315	NRSA63J-100X	MG RESISTOR		
	R 316	NRSA63J-223X	MG RESISTOR		
	R 317	NRSA63J-100X	MG RESISTOR		
	R 319	NRSA63J-152X	MG RESISTOR		
	R 322	NRSA63J-152X	MG RESISTOR		
	R 327	NRSA63J-474X	MG RESISTOR		
	R 332	NRSA63J-123X	MG RESISTOR		
	R 333	NRSA63J-123X	MG RESISTOR		
	R 335	NRSA63J-152X	MG RESISTOR		
	R 336	NRSA63J-472X	MG RESISTOR		
	R 337	NRSA63J-332X	MG RESISTOR		
	R 338	NRSA63J-392X	MG RESISTOR		
	R 339	NRSA63J-222X	MG RESISTOR		
	R 340	NRS181J-391X	MG RESISTOR		
	R 341	NRSA63J-123X	MG RESISTOR		
	R 342	NRSA63J-203X	MG RESISTOR		
	R 343	NRSA63J-183X	MG RESISTOR		
	R 351	NRSA63J-683X	MG RESISTOR		
	R 352	NRSA63J-912X	MG RESISTOR		
	R 371	NRSA63J-123X	MG RESISTOR		
	R 372	NRSA63J-102X	MG RESISTOR		
	R 375	NRSA02J-151X	MG RESISTOR	1/8W	
	R 376	NRSA63J-472X	MG RESISTOR		
	VR 31	QVP0008-503Z	SEMI.V.RESISTOR	BIAS ADJ	
	VR 32	QVP0008-503Z	SEMI.V.RESISTOR	BIAS ADJ	
	VR 37	QVP0008-103Z	SEMI.V.RESISTOR	TAPE SPEED ADJ	

■ Electrical parts list (Cassette switch board) Block No. 06

△	Item	Parts number	Parts name	Remarks	Area
	CN 1	QGB2011L1-10	B TO B CONNECTO		
	D 1	1SR139-400-T2	SI DIODE		
	IC 1	SG-105F3-BB,C	PHOTO SENSER		
	P 1	QNZ0104-001	POST PIN		
	SW 1	QSW0832-001	LEAF SWITCH	R.REC	
	SW 2	QSW0832-001	LEAF SWITCH	TAPE	
	SW 4	QSW0832-001	LEAF SWITCH	70U	
	SW 5	QSW0832-001	LEAF SWITCH	F.REC	
	SW 6	QSW0859-001	DETECT SWITCH		

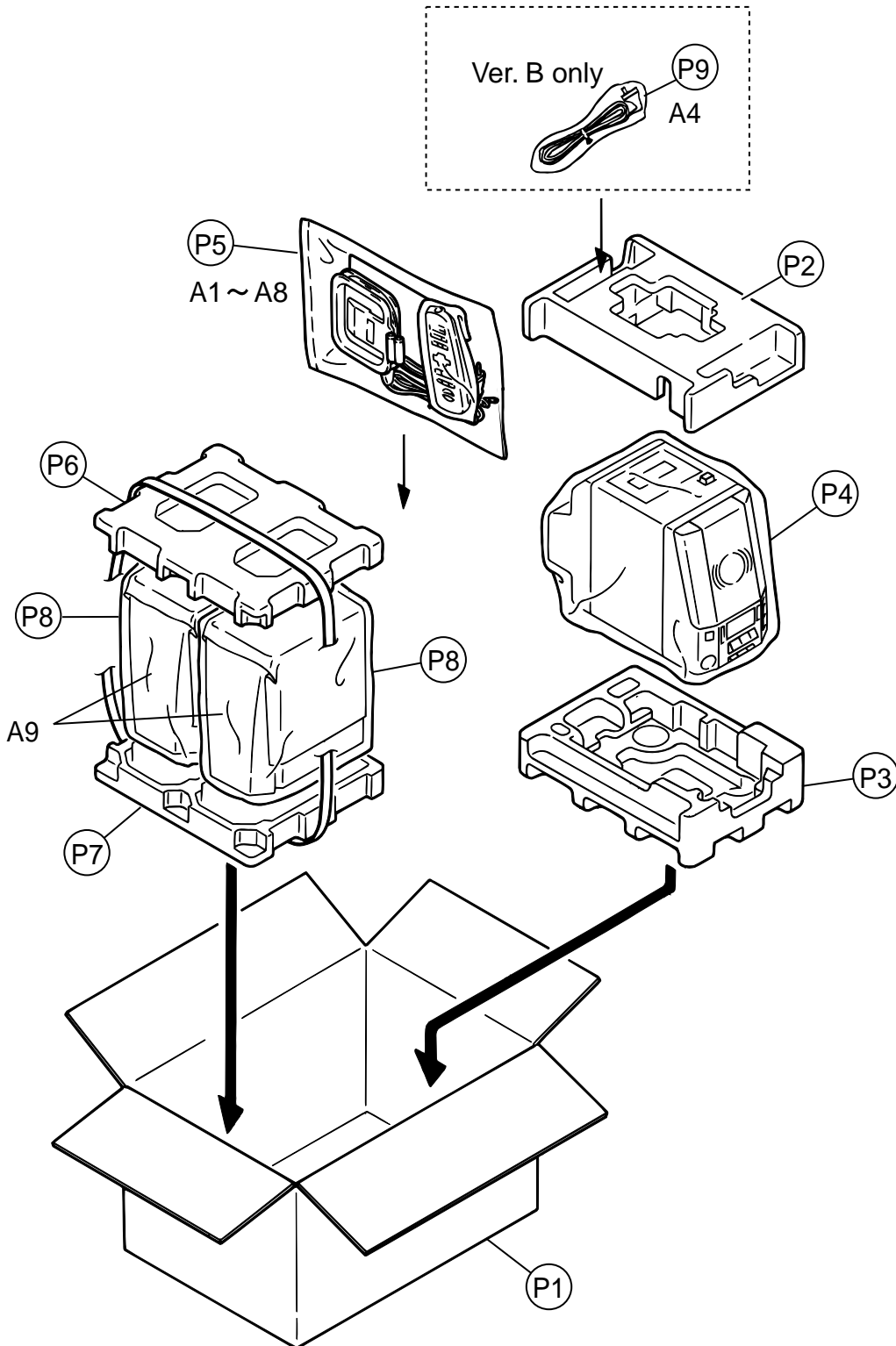
Packing materials and accessories parts list

Block No.

M	3	M	M
---	---	---	---

Block No.

M	4	M	M
---	---	---	---



Parts list (Packing)

Block No. M3MM

△	Item	Parts number	Parts name	Q'ty	Description	Area
	P 1	GV20121-002A	PACKING CASE	1		
	P 2	GV10038-001A	TOP CUSHION	1		
	P 3	GV10039-001A	BOTTOM CUSHION	1		
	P 4	GV30126-001A	POLYBAG	1		
	P 5	QPA02503503P	POLY BAG	1		
	P 6	139763351046	TOP CUSHION	1	FOR SPEAKER	
	P 7	139763351047	BOTTOM CUSHION	1	FOR SPEAKER	
	P 8	138734501073	POLY BAG	2	FOR SPEAKER	
	P 9	QPA01503503	POLY BAG	1		B

Parts list (Accessories)

Block No. M4MM

△	Item	Parts number	Parts name	Q'ty	Description	Area
	A 1	GVT0056-008A	INST BOOK	1	ENG	B
		GVT0056-006A	INST BOOK	1	GER,FRE,DUT	E
		GVT0056-007A	INST BOOK	1	SWE,FIN,DAN,GER,FRE, SPA,ITA	EN
	A 2	BT-54013-1	WARRANTY CARD	1		
	A 3	VNA3000-204	REGIST.CARD	1		B
△	A 4	QMPL060-183-JD	POWER CORD	1		E,EN
△		QMPP060-183-JD	POWER CORD	1		B
	A 5	EWP503-001	ANT.WIRE	1		
	A 6	QAL0014-001	AM LOOP ANT	1		
	A 7	RM-SUXV10E	REMOCON	1		
	A 8	-----	BATTERY	2		
	A 9	UXV100K-SPBOX	SP BOX ASSY	2		